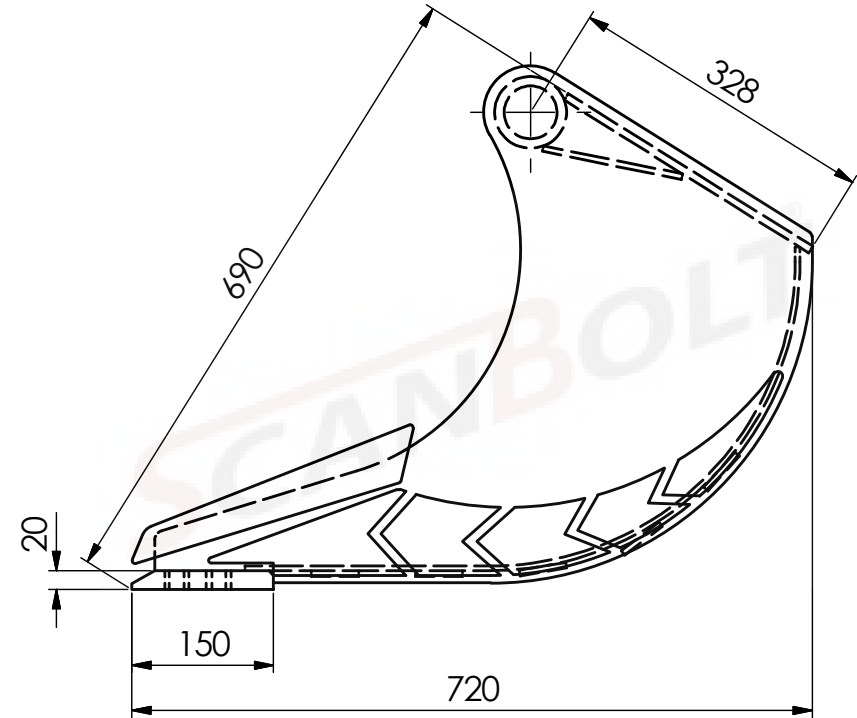
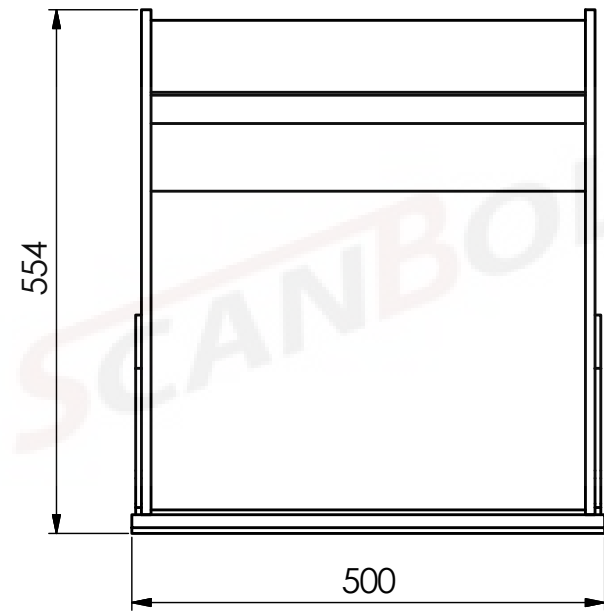
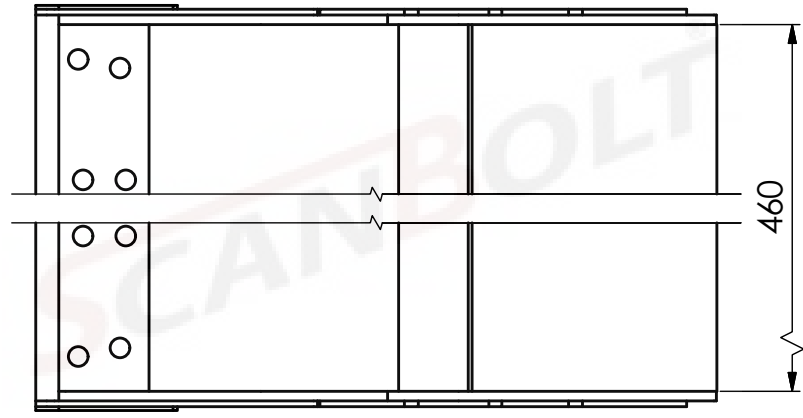
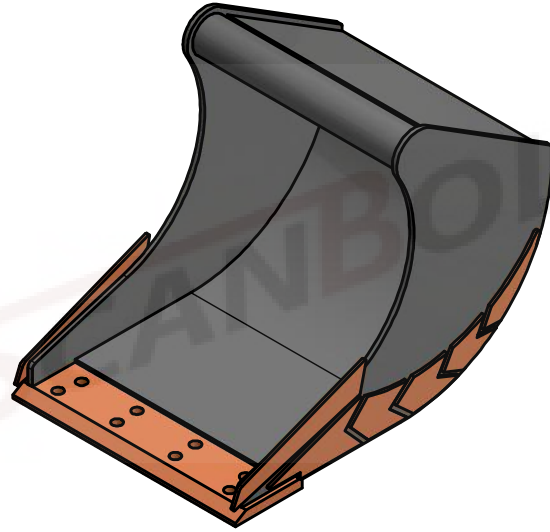


8 7 6 5 4 3 2 1



MATERIAL SPECIFICATION	
ST52.3	Grey
EN8D	Pink
HB 400	Light Orange
HB 450	Dark Orange
CASTALLOY STEEL	Yellow

SCANBOLT®	
DESCRIPTION	50CM DIGGING BUCKET
MACHINE CLASS	3.5 - 4.9 TON
WEIGHT	83.6 Kg
HEAPED CAPACITY	116.1 LITERS

8 7 6 5 4 3 2 1